

# HOLLAND TENTS



15' x 15' Tent

## Standard Tent Colors



Pacific Blue



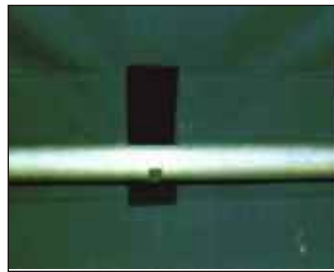
Burgundy Tweed



Erin Green



Leather reinforced corners with straps.



Steel hooks reinforced with three layers of webbing.



15'x20' Top & frame

## TENT FEATURES

- First run Sunbrella acrylic fabric (will not shrink, fade or mildew).
- Galvanized steel and schedule 40 anodized aluminum frames.
- Tent frame fixtures are guaranteed for life.
- Corners and tent peak with 4 layers of reinforcement (including rawhide leather).
- Straps and hooks are reinforced by 3 layers of webbing.
- The heaviest duty anti-wick thread used to prevent leaks which will not pull apart.
- Spur grommets used for added strength.
- Lock stitch used in our sewing process to prevent unraveling.
- Exclusive "Holland Seam" from tent corner to the peak.
- Highly qualified employees with the knowledge and experience to produce superior products and give outstanding service.



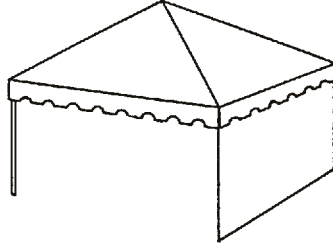
**Holland**  
SUPPLY INC.

**1-800-527-8818**

# TENT SIDE WALLS, MOUNDS AND SUN EXTENSIONS

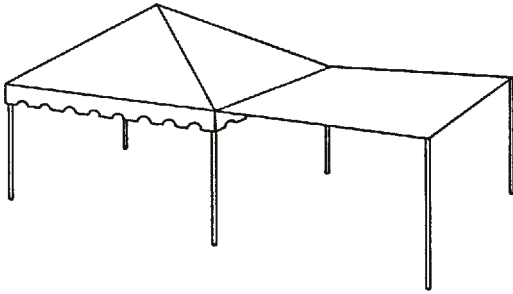
## Straight Wall

Protection and privacy is designed right into our straight side wall. It protects from wind, blowing rain or snow and the glare of the sun itself. With or without windows.



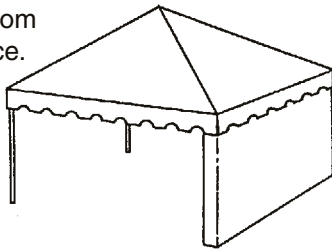
## Wall to Form Awning

Due to the walls sturdy construction, added protection from the elements may be gained by extending it outward and upward to form an awning.



## Northern Style Wall

The Northern Style provides added wrap-around-the-corner material that eliminates gaps at the corners. This style prevents winter winds from being an unwanted annoyance. Straps and buckles have 32" of reinforcement for maximum durability.



## Sun Roof Extension

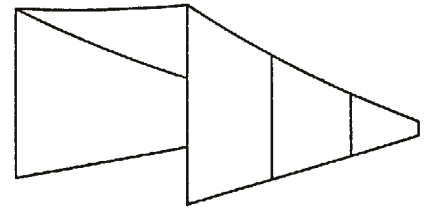
This extension attaches to the 15' side of the tent, adding additional 8'x15' protection. It continues the dignified scallop design as the tent valance. The frame of the extension is a continuation of the main tent, and adds additional sturdiness to the tent. Walls may also be fitted to the extension – up to 23' on 15'x15' tents and 28' long on the larger 15'x20' tents.

## Mound Covers

Mound covers are attachable to any side of the 15'x15' or 15'x20' tent. There are three styles, all are seven foot deep and 15' long. This provides extra space for a variety of needs.

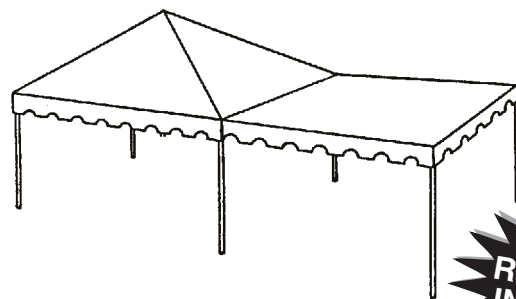
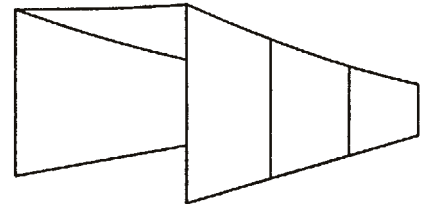
## Slant Mound

As the name implies, it slopes from the opening back to the ground, and is used primarily to protect the lowering device, as well as accompanying flowers and background grass. It provides ample space for all necessary coverage.



## Box Mound

This sloping box shaped cover can be used as an extension of the tent, accommodating two rows of chairs in addition to protecting equipment.



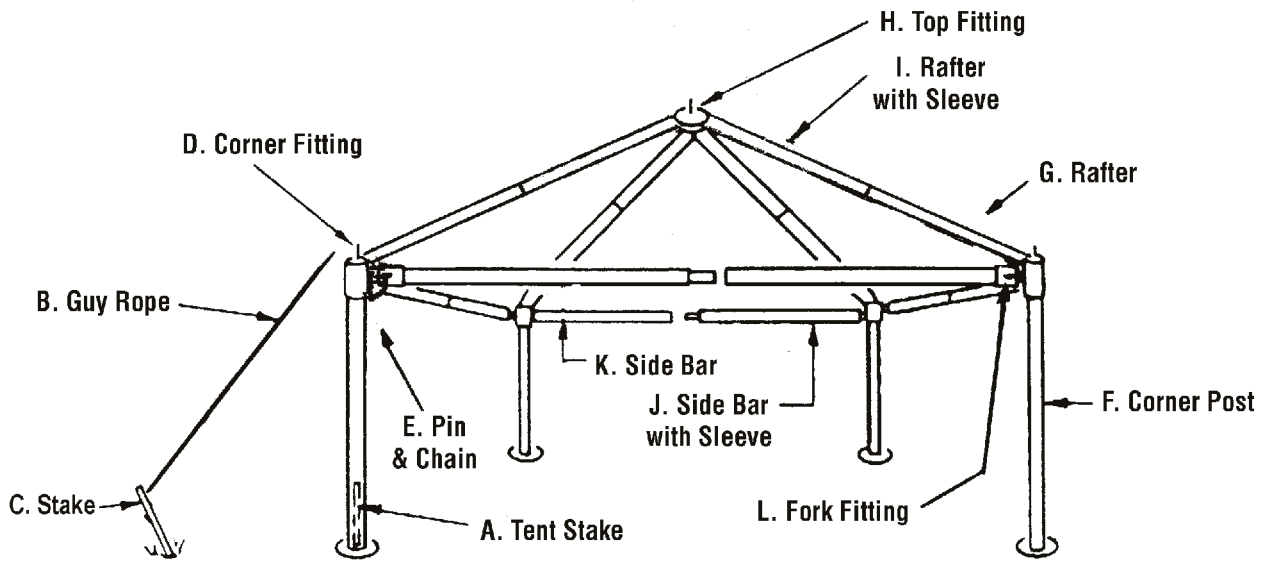
2  
Rafter Poles  
INCLUDED!



**Holland**  
SUPPLY INC.

**1-800-527-8818**

# HOLLAND TENT PARTS & ACCESSORIES



A. Tent stake  
36"x7/8"

B. Guy rope

C. Guy rope stake  
24"x7/8"

D. Corner fitting

E. Pin & chain

F. Corner post

G. 64" Rafter

H. Top Fitting

I. 64" Rafter w/sleeve

J. 81" Side bar w/sleeve

K. 87" Side bar

L. Fork fitting



Corner Fitting



Top Fitting



Pin & Chain



Fork



Steel Tent Hook



Maul & Sledge



Guy Ropes



Sidewall Stake



Tent Stakes



Portable Register Stand



Tent Bag



**Holland**  
SUPPLY INC.

**1-800-527-8818**

# HOLLAND ROLL-AROUND TENTS

**HOLLAND 15'X15' ROLL-AROUND TENT**



- Heavy-duty wheels and casters 12" and 14" (Best on the market)
- Entire frame is powder coated not spray painted. Resists rust and will last longer.
- Extra leather reinforcement in corners for durability.
- No welding needed to assemble.
- Same superior tent top that is on the Holland 15'x15' hill tent.
- Heavy-duty 1 1/2" square steel tubing construction.

**HOLLAND 14'X20' ROLL-AROUND CHAPEL TENT**



- Heavy-duty wheels and casters 12" and 14" (Best on the market)
- Entire frame is powder coated not spray painted. Resists rust and will last longer.
- Extra reinforcement in corners for durability.
- No welding needed to assemble.
- Heavy-duty 1 1/2" square steel tubing construction
- Tuflex PolyCarb™ 12 times stronger than 8 oz. Fiberglass.
- Reinforcement kit for top included.

**Both tents feature:**

**Heavy-duty wheels and casters that swivel and lock. Available in both 12" or 14".**



Theirs

Ours

**Heavy-duty corners with extra reinforcement.**



**Available for both tents:**

**Side Walls**

- Straight and Northern walls.
- Walls that roll up.

**Tow Bar**

- 1 1/2" square steel tubing construction.
- Easy to use and extends life of tent.



**Holland**  
SUPPLY INC.

**1-800-527-8818**

# HOLLAND OVAL TENT

**HOLLAND TOPS, FRAMES, AND PARTS ARE INTERCHANGEABLE WITH STERIL TENTS!**



**HOLLAND OVAL TOP AND FRAME**



**HOLLAND OVAL (WITHOUT SCALLOP)  
WITH SIDE WALL AND SUN EXTENSION**

Holland Supply manufactures a complete line of oval tents, frames and parts. All our oval tops, frames and parts are interchangeable with any Steril tent product you may have. Our goal is to offer the best possible value and give you a choice in your oval tent needs.

The *advantages* of a **HOLLAND OVAL TENT & FRAME**:

- Cast iron frame fittings guaranteed for life.
- Only first run Sunbrella™ acrylic and cotton duct material.
- Stronger side bars on our frame.
- Corners and two top ends reinforced with a steel ring and two pieces of rawhide leather.
- Tent straps have three layers of stitching/reinforcement.
- Lock stitch used to prevent unraveling.
- Sewn with heavy-duty anti-wick thread, which resists seams pulling apart, as well as leakage.

*We can customize a tent to your specifications; names, color, size, snaps, velcro, etc...*

**ALL SIZES AVAILABLE**



**Holland**  
SUPPLY INC.

**1-800-527-8818**

# HOLLAND OVAL TENT

## Mounds and Walls



- First run Sunbrella acrylic material
- Steel hooks with extra reinforcement



- Reinforced corner straps
- Available sizes 12', 14', 16', 18', & 20'



## Sun Extension Top and Frame

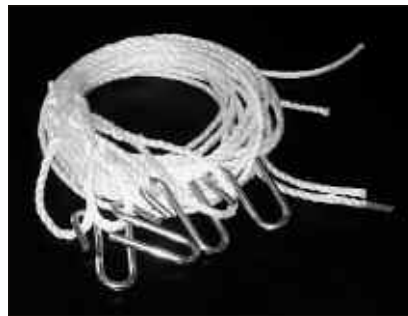
- Anodized aluminum frame and corner poles
- Reinforced sunbrella acrylic top
- Rafter poles to help prevent sagging are available
- Sizes available 12' x 8', 14' x 8', & 16' x 8'

## Holland Oval Accessories

Tent Stakes



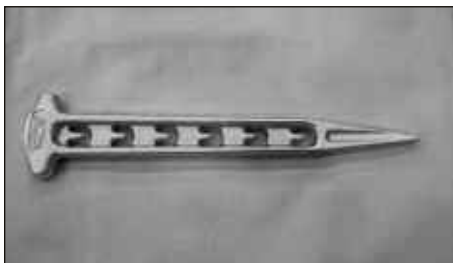
Guy Ropes



Wall Hooks



Sidewall Stake



Pillow Ring



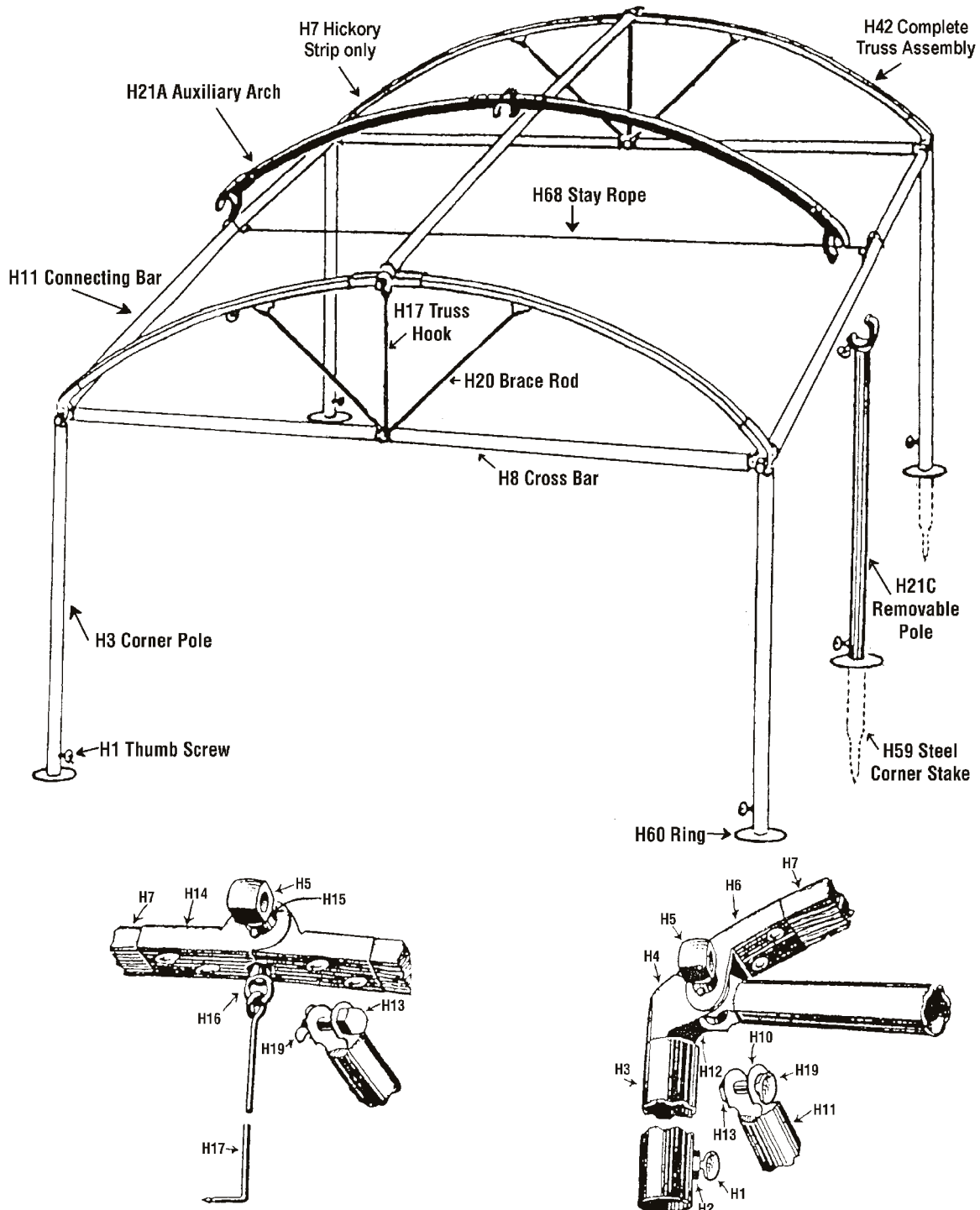
Maul & Sledge



**Holland**  
SUPPLY INC.

**1-800-527-8818**

# HOLLAND OVAL TENT FRAME & PARTS



*\* ALL HOLLAND OVAL PARTS ARE INTERCHANGEABLE WITH STERIL PARTS.*



**Holland**  
SUPPLY INC.

**1-800-527-8818**

# HOLLAND OVAL FRAME PARTS

<u>Item #</u>	<u>Description</u>
H 01	Thumb screw for corner pole (1/2"X1")
H 02	Aluminum hexagonal nut to weld to corner pole
H 03	Regular corner pole with rivet (2"X 6" 6")
H 04	Pressed steel end for corner with rivet
H 05	Coupling nut, not drilled, for rivet (see #15 for drilled nut)
H 06	Pressed steel eave end for hickory truss (for eaves only) complete with rivets
H 07	Hickory Strips (3/4" X 2") with Rivets Truss Size 6', 7', 7 1/2', 8'
H 08	Aluminum cross bar, complete with pressed steel ends & springs 12' (two 5' 7" bars complete) 14' (two 6' 7" bars complete) 15' (two 7' 0" bars complete) 16' (two 7' 6" bars complete)
H 09	Spring clip for cross bar with rivets
H 10	Pressed steel end for connecting bar, nut welded on
H 11	Aluminum connecting bar with pressed steel ends, with nuts welded on 8' 4" 1 piece tents 18, 118 8' 4" 2 piece tents 9, 118 9' 4" 1 piece tents 1, 2, 3 9' 4" 2 piece tents 5, 20 11' 4" 1 piece tents 12, 24, 36 11' 4" 2 piece tents 6, 112 13' 4" 2 piece tents 14, 7, 114 14' 4" 3 piece tent 115 15' 4" 2 piece tent 16 15' 4" 3 piece tents 8, 16, 116
H 12	Cross bar end with rivets
H 13	Jam nut for connecting bar end
H 14	Pressed steel end for hickory truss (for gable only) with rivets
H 15	Stud bolt with two # 5 coupling nuts with rivets
H 16	Swivel with two stud bolts and rivets
H 17	Truss hook (state size of tent)
H 18	Acrylic spacers for swivel (need 2/swivel)
H 19	Thumb screw (1/2"X2 1/2") for item #'s H10 & H12
H 20	Brace rods (state size of tent)
H 21	Brace rod brackets, with rivets A - Auxiliary arch complete (12', 14', 15', 16') B - Auxiliary arch hickory with rivets (6', 7', 7 1/2', 8') C - Removable pole for use under auxiliary arch
H 22	Rope splicers for guy ropes
H 23	Auxiliary arch hinge with rivets
H 24	Auxiliary arch ends with thumb screw (3/8" x 1") & rivets
H 25	Bottom wall clips with webbing and thread
H 26	Bottom wall clips, no webbing or thread
H 27	Roller buckles only (1")
H 28	Canvas cement for patching small holes (1oz tube)
H 29	Duck canvas, per yard
H 30	Acrylic Canvas, per yard
H 31	Snap and D ring set with webbing
H 32	Hook only for guy rope (no rope or splicer)
H 33	Hooks for top of walls (rubber covered)



**Holland**  
SUPPLY INC.

**1-800-527-8818**

# HOLLAND OVAL FRAME PARTS

<u>Item #</u>	<u>Description</u>
H 34	Hooks for top of walls (no rubber cover)
H 35	Rubber covers only for top wall hooks
H 36	Side arms for sun extension frame with ends
H 37	Wooden poles for use with mound "B" boxwall (36)
H 38	Aluminum post end with thumb screw (#1) for sun ext & sun roof
H 39	Wooden sun extension poles (6' 6")
H 40	Sun extension frame bracket with thumb screw (#1)
H 41	Removable post end with thumb screw (#1) for removable pole 21C
H 42	Complete truss assembly with cross bar and corner poles Truss complete (12') Truss complete (14') Truss complete (15') Truss complete (16') Complete Truss with Aluminum Strips in place of Hickory Truss complete (14') Truss complete (15') Truss complete (16')
H 43	Washers for Truss (gable swivel)
H 44	Water repellent for Acrilic canvas only - several types
H 45	Tent stakes 7/8" X 24"
H 46	Adjustable center brace for sun extension frame
H 47	Web straps for tops: 30", buckles and straps
H 48	Web straps for frame: 27", buckles and straps
H 49	Cone of thread (one pound)
H 50	Web straps only: 18", no buckle
H 51	Corner stakes for hillside frame 7/8" X 36"
H 52	Arch assembly - for any size tent (12', 14', 15', 16') includes the entire end of the tent except the cross bar & corner poles Arch assembly - with aluminum strips in place of hickory (14', 15', 16')
H 53	Leather hand pulls inserted at corners of top
H 54	Web hand holds inserted on top at eave or gable
H 55	Rivets (1", 1 1/8", 1 1/4", 1 3/4", 1 7/8", 3/8")
H 56	Thumb screws for auxiliary arch ends (3/8" X 1")
H 58	Rivets for ends (2 1/4" X 3/16"
H 59	Corner stakes standard (1 5/8" X 27") - steel
H 60	Pillow rings for corner stakes
H 61	Holland sidewall stakes (14")
H 62	Guy Ropes 14' with hook at one end - Standard 16' with hook at one end
H 63	Steel guy rope stake (7/8" X 24")
H 64	Wooden maul handle (36")
H 65	Gar-dur plastic inserts
H 66	Rawhide face for maul (face only, no head)
H 67	Complete Split head Maul
H 68	Stay rope with zinc plated hook at two ends
H 69	Auxiliary arch complete with aluminum strips
H 70	Replacement aluminum strips for auxiliary arch (need 2 per arch) (wooden shims and brace rod bracket built in - need 2 per arch)
H 71	Replacement aluminum strips for auxiliary arch (need 2 per arch)
H 72	Steel guy rope stake (7/8" X 36")

